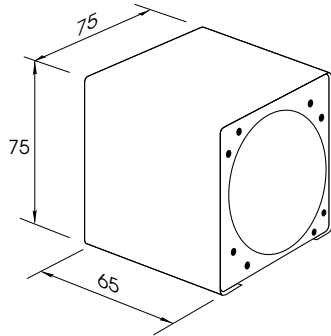


Thru Beam Photoelectric Sensors Accessories



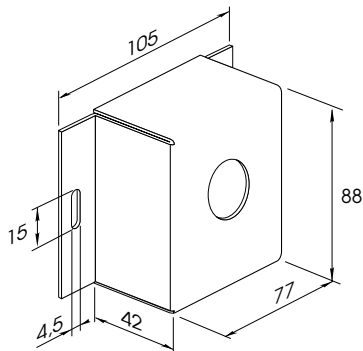
Box for P 40 (Art. S 340)



Metal box for wall mounting of model P40.
Epossidic painted. Colour grey.
Material: zinc-coated iron.

Weight 270 g

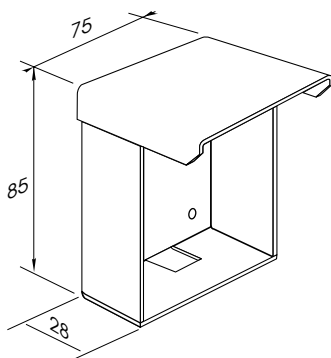
Anti-vandalism box for P 41 (Art. S 410)



Anti-vandalic metal box for model P41.
Colour grey.
Material: zinc-coated iron.

Weight 240 g

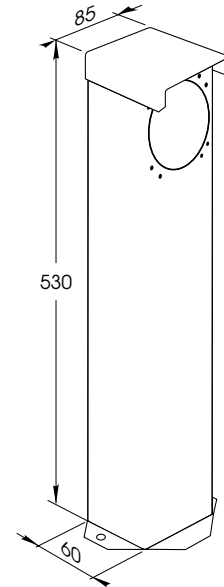
Box for P 41 (Art. SI 41)



Metal box for wall mounting of model P41.
Epossidic painted. Colour grey.
Material: zinc-coated iron.

Weight 160 g

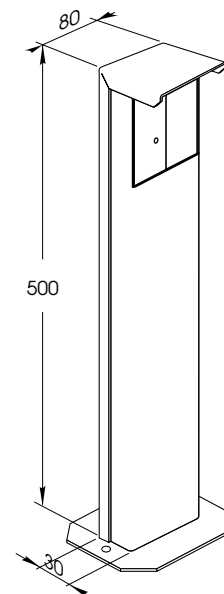
Post for P 40 (Art. C 340)



Metal post to support the model P40.
Epossidic painted.
Colour grey.
Material: zinc-coated iron.

Weight 1600 g

Post for P 41 (Art. C 410)



Metal post to support the model P41.
Epossidic painted.
Colour grey.
Material: zinc-coated iron.

Weight 1200 g