

B 952 S / R



- Sensing distance on reflector \varnothing 84 : 10 m
- Supply : 10 to 30 VDC or 20 to 250 V AC/DC
- Output : PNP / NPN or relay
- ON-delay + OFF-delay timer



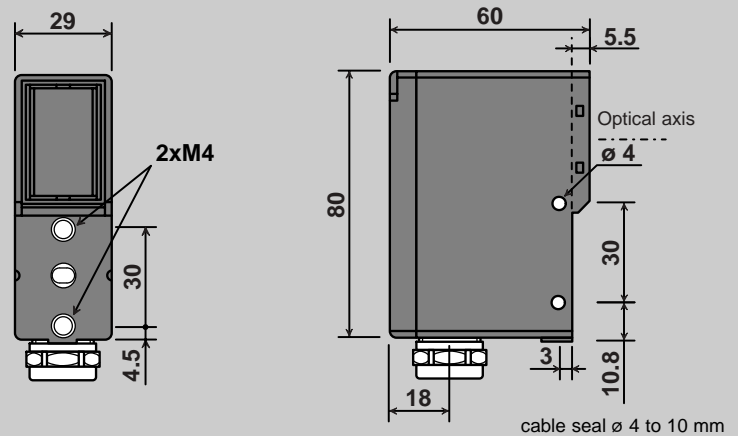
Description :

- Simple and quick set-up for self-teach (standard and sensitive mode)
- Double adjustable timer
- Alignment indicator
- Dirty optics indicator
- Keyboard lock
- Remote test input (S type) simulate the beam cut-off
- Direct or inverse output
- Output : static or relay
- Connection on screw terminal
- Polycarbonate strong housing

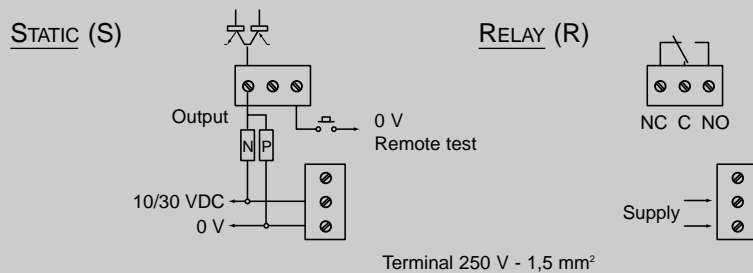
Applications :

- Parcels jam control.
- Detection of shiny parts on material handling.
- Admittance control.

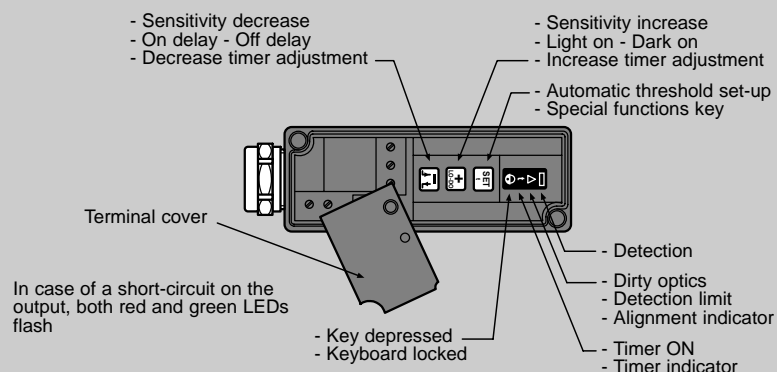
Dimensions



Wiring Connections



Visualisation and Keyboard



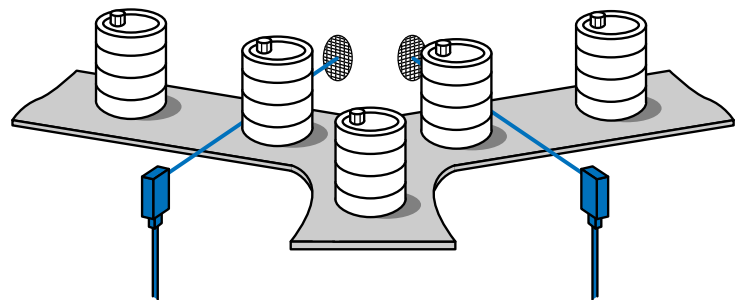
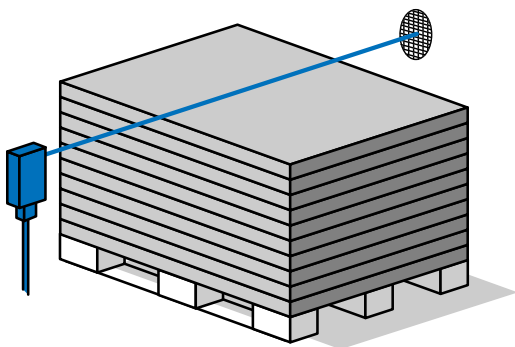
Technical Information		S	R
Supply	voltage	10 / 30 VDC ripple < 10% within specified limits	20 / 250 V AC/DC
	consumption	50 mA	2 VA
Response time	t _{on} or t _{off}	8 ms	20 ms
	switching frequency	60 Hz	25 Hz
Output	max. nominal intensity	100 mA	change over type relay U nominal : 250 V AC permanent max. I : 3 A
	residual voltage at 100 mA	< 2 V	
	residual voltage at 10 mA	< 1 V	
Emission	LED	red	
	modulation frequency	400 Hz	400 Hz
Timer	type	retriggerable - ON-delay / OFF-delay	
	range - increment duration	0 to 11s in 23 steps of 50ms, then 0.5s steps	
Temperature	operating	0 to 60° C	
	storage	-20 to 80° C	
External light immunity	incandescent light	10 000 lux 5° from optical axis	
	sunlight	20 000 lux 5° from optical axis	
Protections	supply	inverse polarity protection	—
	output	short-circuit or over-load	—
	degree of protection	IP 65 and IP 67	
Remote input	on	voltage < 1,4 V	—
	off	voltage > 3 V	—

To Place Order	
Product	Retro-reflex polarised sensor
Reference	B - 952 ()
Type	(S) : static - 10 / 30 VDC (R) : relay - 20 / 250 V AC/DC

TYPES OF APPLICATIONS

Example 1

Control of palettes height.



Example 2

Flow control, sorting or other incident control on a conveyor.