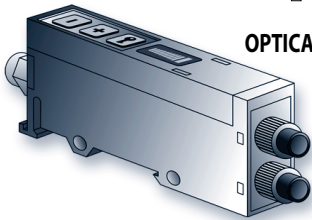


Optical Fibers Photoelectric Sensors



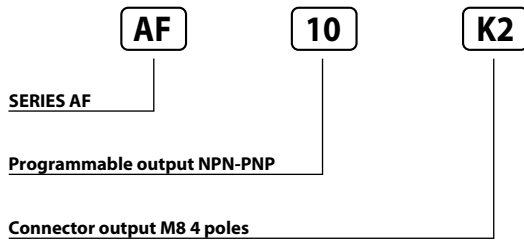
OPTICAL FIBERS PHOTOELECTRIC SENSORS 12÷30 VDC 3 WIRES PROGRAMMABLE OUTPUT

- **High sensing distance**
- **Supply 10÷30 VDC**
- **Programmable output NPN-PNP**
- **Friendly adjustment by KEY +/-**

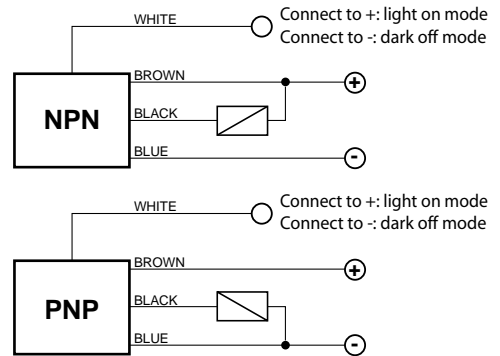
AF Series



Identification code



Wiring diagrams

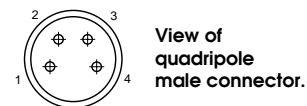


Product description

EMISSION	Red
NOMINAL VOLTAGE	12÷30VDC
RESIDUAL RIPPLE	< 10%
OUTPUT	NPN - PNP (PROGRAMMABLE)
MAX OUTPUT CURRENT	100 mA
ABSORPTION AT 30 VDC	< 40 mA
VOLTAGE DROP (Sensor ON)	< 2 V (I= 100 mA)
YELLOW LED	present
SENSITIVITY ADJUSTMENT	by key +/-
SWITCHING FREQUENCY	1000 Hz
RESPONSE TIME	≤ 500 μS
START UP DELAY	≤ 300 ms
SHORT CIRCUIT PROTECTION	present (self resetting)
ELECTRIC PROTECTION	Against polarity reversal - inductive loads
TEMPERATURE LIMITS	0 ÷ +60 °C
LIGHT IMMUNITY	10000 Lux ⁽¹⁾
PROTECTION DEGREE	IP 65
CABLE LENGTH	2 m
CABLE SECTION	3 x 0.25 mm ²
HOUSING MATERIAL	ABS
WEIGHT	100 g

⁽¹⁾ Determined with halogen tungsten lamp 3000 °K.

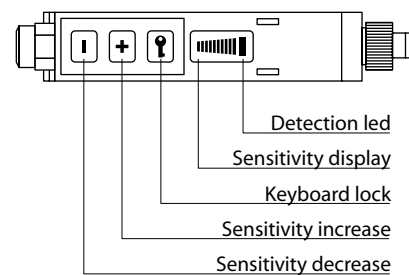
Connection with connector M8 (K2)



CONTACTS CONFIGURATION

Output	Contacts numbers			
	1	2	3	4
NPN/PNP light NO	-	+	+	Out
NPN/PNP dark OFF	-	-	+	Out

Visualisation and keyboard



Dimensions

