

**AFP 954 R**



- Sensing distance with plastic fibre  
See technical information on sheet "Plastic Fibre Optics"
- Supply : 20 to 250 V AC/DC
- Output : relay
- ON-delay + OFF-delay timer



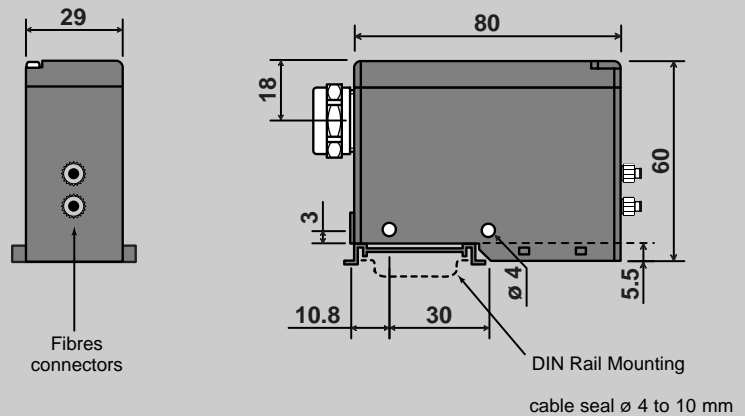
**Description :**

- Simple and quick set-up for self-teach (standard and sensitive mode)
- Double adjustable timer
- Alignment indicator
- Dirty optics indicator
- Keyboard lock
- Direct or inverse output
- Output : relay
- Connection on screw terminal
- Polycarbonate strong housing

**Applications :**

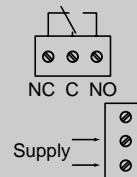
- Position or presence control of parts on assembling or conditioning machine.
- Marks and contrasts sensing for packaging.
- Detection of translucent parts on little conveyor.
- Plastic fibre use in vibrating surroundings.

**Dimensions**



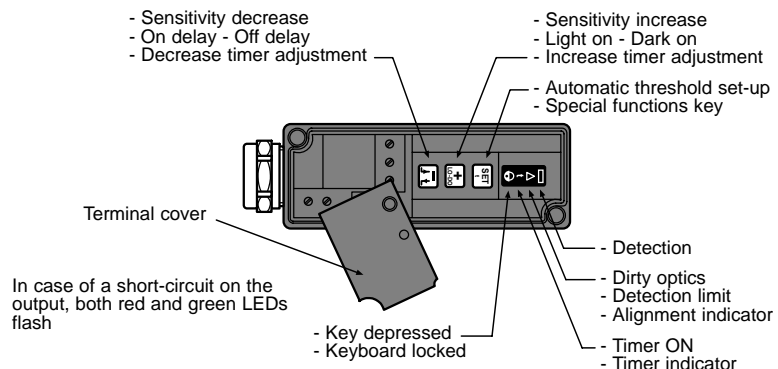
**Wiring Connections**

RELAY (R)



Terminal 250 V - 1.5 mm<sup>2</sup>

**Visualisation and Keyboard**



**Technical Information**

|                                |                                     |   |
|--------------------------------|-------------------------------------|---|
| <b>Supply</b>                  | voltage                             | 20 / 250 V AC/DC  |
|                                | consumption                         | 2 VA  |
| <b>Response time</b>           | t <sub>on</sub> or t <sub>off</sub> | 20 ms   |
|                                | switching frequency                 | 25 Hz   |
| <b>Output</b>                  | relay                               | change over type<br>U nominal : 250 V<br>permanent max. I : 3 A |
| <b>Emission</b>                | LED                                 | red   |
|                                | modulation frequency                | 400 Hz  |
| <b>Timer</b>                   | type                                | retriggerable - ON-delay / OFF-delay                            |
|                                | range - increment duration          | 0 to 11s in 23 steps of 50ms, then 0.5s steps                   |
| <b>Temperature</b>             | operating                           | 0 to 60 °C  |
|                                | storage                             | -20 to 80 °C  |
| <b>External light immunity</b> | incandescent light                  | 10 000 lux  |
|                                | sunlight                            | 10 000 lux  |
| <b>Protections</b>             | supply                              | —   |
|                                | output                              | —   |
|                                | degree of protection                | IP 65 and IP 67   |
| <b>Remote input</b>            | on                                  | —   |
|                                | off                                 | —   |

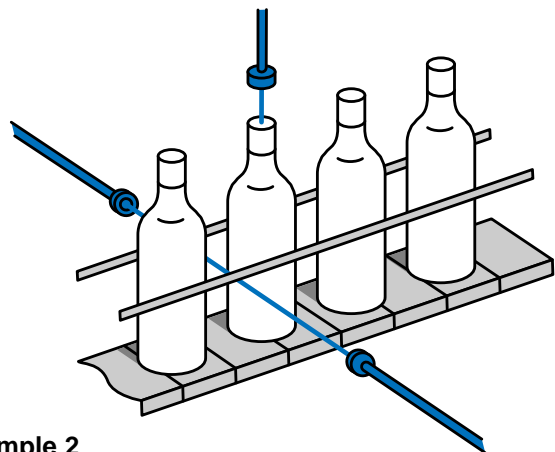
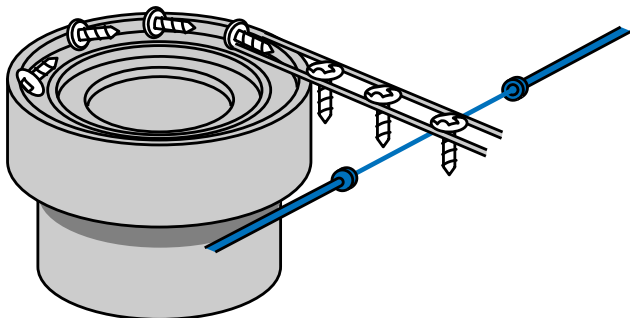
**To Place Order**

|                  |                                |
|------------------|--------------------------------|
| <b>Product</b>   | Plastic fibre optic sensor     |
| <b>Reference</b> | AFP - 954 R - 20 / 250 V AC/DC |

TYPES OF APPLICATIONS

**Example 1**

Through-beam application with self-teach.



**Example 2**

Through-beam and direct sensing application with self-teach.