

**AFV 946 S**

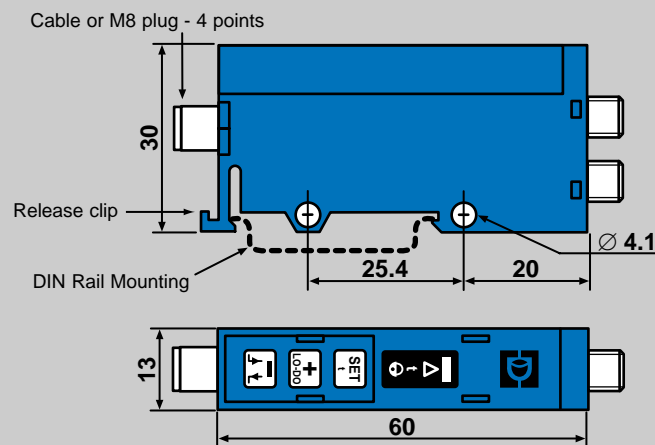
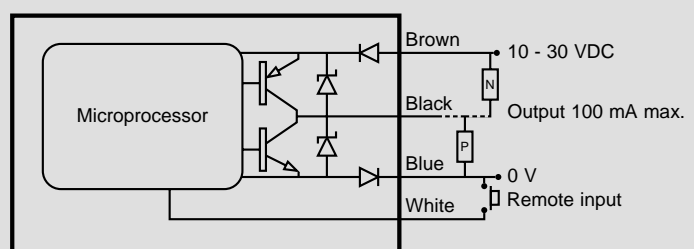
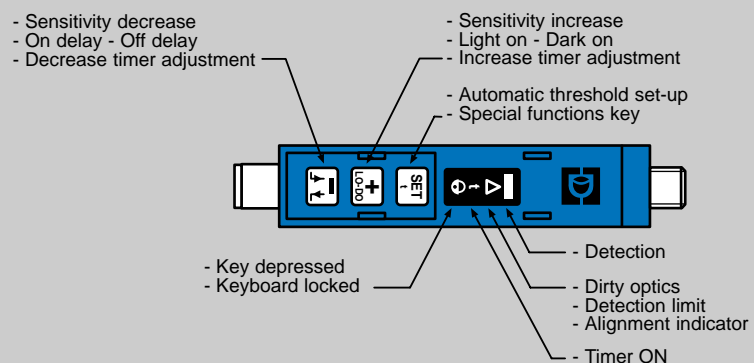
- Sensing distance with glass fibre  
See technical informations  
on sheet "Glass Fibre Optics"
- Supply : 10 / 30 VDC
- Output : PNP / NPN
- On-delay or off-delay timer standard

**Description :**

- Simple and quick set-up  
for self-teach (standard  
and sensitive mode)
- Adjustable timer
- Alignment indicator
- Dirty optics indicator
- Keyboard lock
- Remote input for self-  
teach (sensitive mode)
- Direct or inverse output
- Output : PNP / NPN
- Cable or M8 plug
- Polycarbonate strong  
housing

**Applications :**

- Position or presence  
control of parts on assem-  
bling or conditioning  
machine.
- Detection of presence of  
parts in a plastic mould.
- Detection under extreme  
conditions.
- Glass fibre use in high-  
temperated surround-  
ings (output of furnace).

**Dimensions****Wiring Connections****Visualisation and Keyboard**

## Technical Information

<b>Supply</b>	voltage	10 / 30 VDC ripple < 10% within specified limits
	consumption	< 40 mA
<b>Response time</b>	$t_{on}$ or $t_{off}$	< 500 $\mu$ s
	switching frequency	< 1 KHz
<b>Output</b>	max. nominal intensity	100 mA
	residual voltage at 100 mA	< 2 V
	residual voltage at 10 mA	< 1 V
<b>Emission</b>	LED	red
	modulation frequency	8 KHz
<b>Timer</b>	range	0 to 5 s with 11 increments
	increment duration	first increment : 40 ms, following increments : 500 ms
<b>Temperature</b>	operating	0 to 60 °C
	storage	-20 to 80 °C
<b>External light immunity</b>	incandescent light	10 000 lux
	sunlight	20 000 lux
<b>Protections</b>	supply	inverse polarity protection
	output	permanent short-circuit or over-load protection
	degree of protection	IP 65
<b>Remote input</b>	on	voltage < 1,4 V
	off	voltage > 3 V

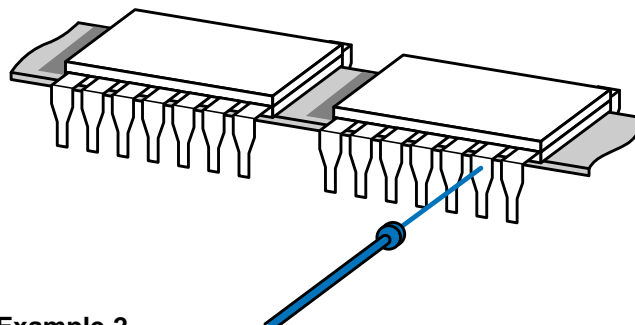
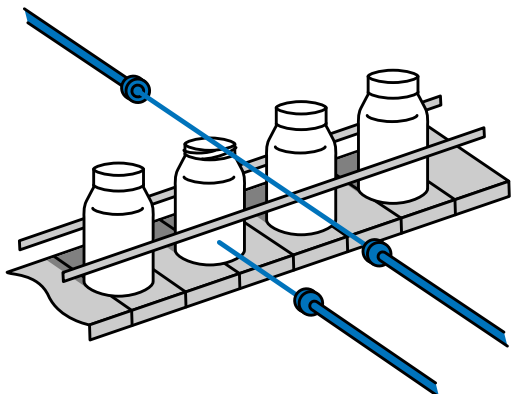
## To Place Order

<b>Product</b>	Glass fibre optic sensor
<b>Reference</b>	AFV 946 S : cable 2m AFV CO 946 S : output M8 plug
Cable with M8 plug if required, please order together with the sensor	CM 82 - cable 2m CM 82 C - cable 2m with right angle connector CM 85 - cable 5m CM 85 C - cable 2m with right angle connector

## TYPES OF APPLICATIONS

### Example 1

Detection of presence of parts (here, lids) on a conveyor.



### Example 2

Detection by glass fibre of small parts.