

**P 954 S / R**



- Sensing : 1,5 m on 300x300 mm white sheet
- Supply : 10 to 30 VDC or 20 to 250 V AC/DC
- Output : PNP / NPN or relay
- ON-delay + OFF-delay timer



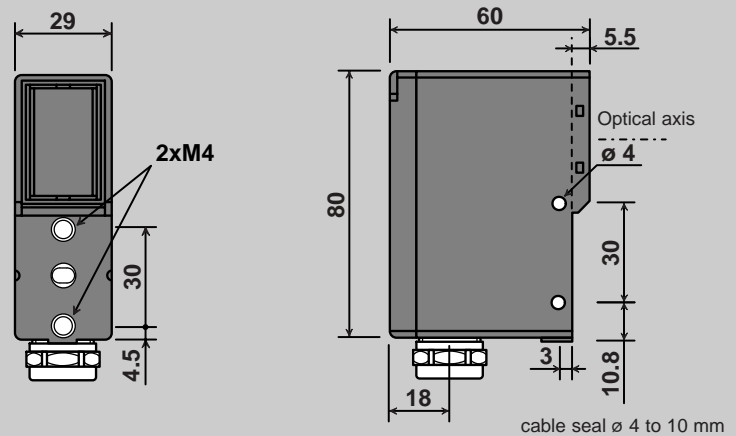
**Description :**

- Simple and quick set-up for self-teach (standard and sensitive mode)
- Double adjustable timer
- Alignment indicator
- Dirty optics indicator
- Keyboard lock
- Remote test input (S type) simulate the beam cut-off
- Direct or inverse output
- Output : static or relay
- Connection on screw terminal
- Polycarbonate strong housing

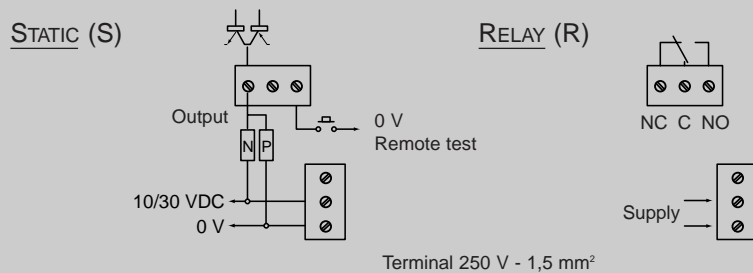
**Applications :**

- Strip tearing sensing.
- Handling.
- Admittance control.

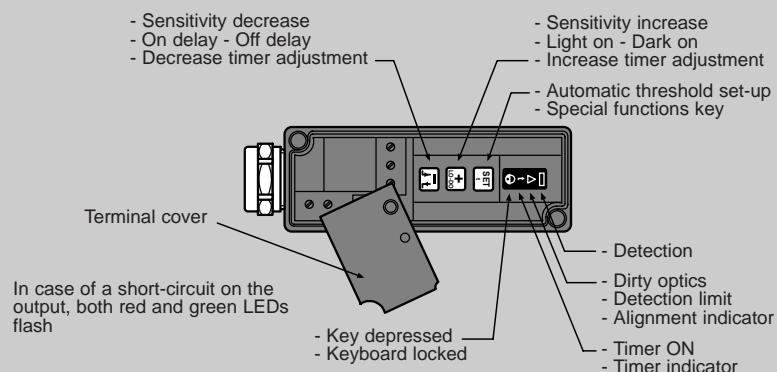
**Dimensions**



**Wiring Connections**



**Visualisation and Keyboard**



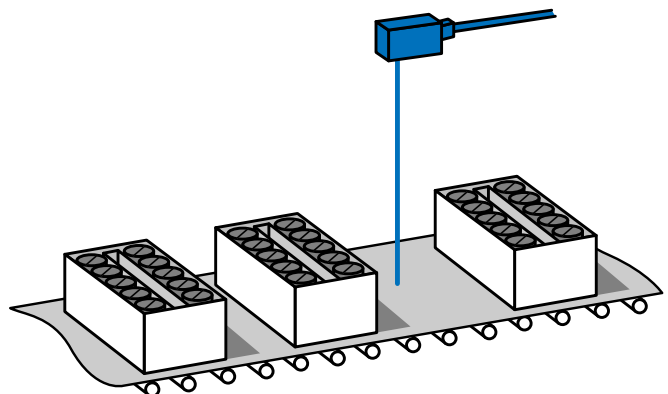
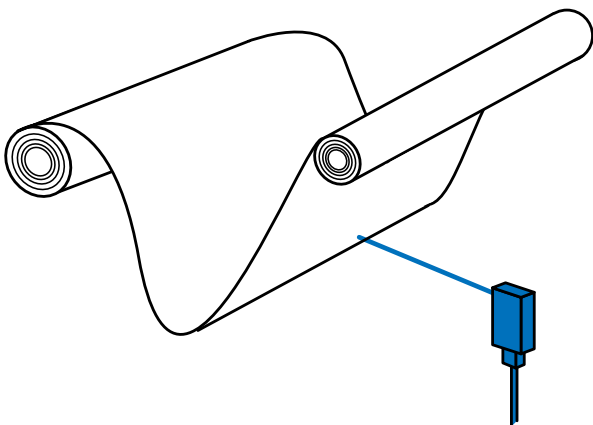
Technical Information		S	R
Supply	voltage	10 / 30 VDC ripple < 10% within specified limits	20 / 250 V AC/DC
	consumption	50 mA	2 VA
Response time	t <sub>on</sub> or t <sub>off</sub>	500 μs	20 ms
	switching frequency	1 KHz	25 Hz
Output	max. nominal intensity	100 mA	change over type relay U nominal : 250 V AC permanent max. I : 3 A
	residual voltage at 100 mA	< 2 V	
	residual voltage at 10 mA	< 1 V	
Emission	LED	infra-red	
	modulation frequency	8 KHz	400 Hz
Timer	type	retriggerable - ON-delay / OFF-delay	
	range - increment duration	0 to 11s in 23 steps of 50ms, then 0.5s steps	
Temperature	operating	0 to 60° C	
	storage	-20 to 80° C	
External light immunity	incandescent light	10 000 lux 5° from optical axis	
	sunlight	20 000 lux 5° from optical axis	
Protections	supply	inverse polarity protection	—
	output	short-circuit or over-load	—
	degree of protection	IP 65 and IP 67	
Remote input	on	voltage < 1,4 V	—
	off	voltage > 3 V	—

To Place Order	
Product	Diffuse reflection sensor
Reference	P - 954 ( )
Type	(S) : static - 10 / 30 VDC (R) : relay - 20 / 250 V AC/DC

TYPES OF APPLICATIONS

**Example 1**

Strip slack control.



**Example 2**

Control of presence on a conveyor.