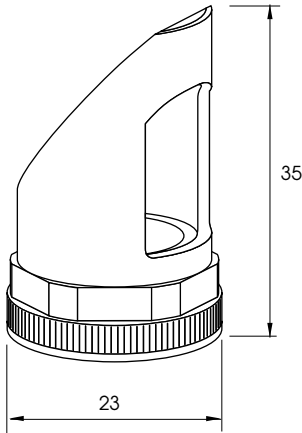
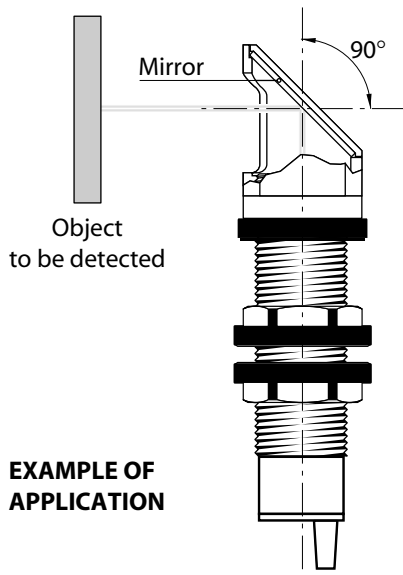


Accessory for reading at 90° (Art. DEV90)



Ray turner for 90° sensing of cylindrical photoelectric sensors M 18. It can be used for DIFFUSE REFLECTIVE, RETRO REFLECTIVE, POLARIZED RETRO REFLECTIVE, EMITTERS AND RECEIVERS THRU BEAM system.

Weight 7 g



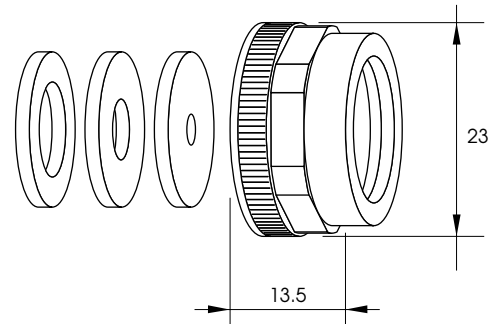
WARNING

The ray turner determines an attenuation of the switching distance that can be computed as follows:

$$DR = \frac{D - 2}{100} \times 80$$

where "D" is the sensor switching distance indicated in cm and "DR" is the real switching distance indicated in cm.

Shutter for emitter-receiver Thru Beam (Art. P18OTT)



WARNING:

each package contains three shutter disks

Weight 5 g

Accessory to detect small size objects with emitter-receiver cylindrical thru beam M18.

| SHUTTING DIAM. | MIN. OBJECT TO BE DETECTED | DISTANCE ATTENUATION |
|----------------|----------------------------|----------------------|
| 2 mm | ≥ 2 mm | 97 % |
| 4 mm | ≥ 4 mm | 84 % |
| 8 mm | ≥ 8 mm | 54% |

WARNING:

the datum "Minimum object to be sensed" refers to the condition of shutter mounted on emitter receiver.

EXAMPLE OF APPLICATION

